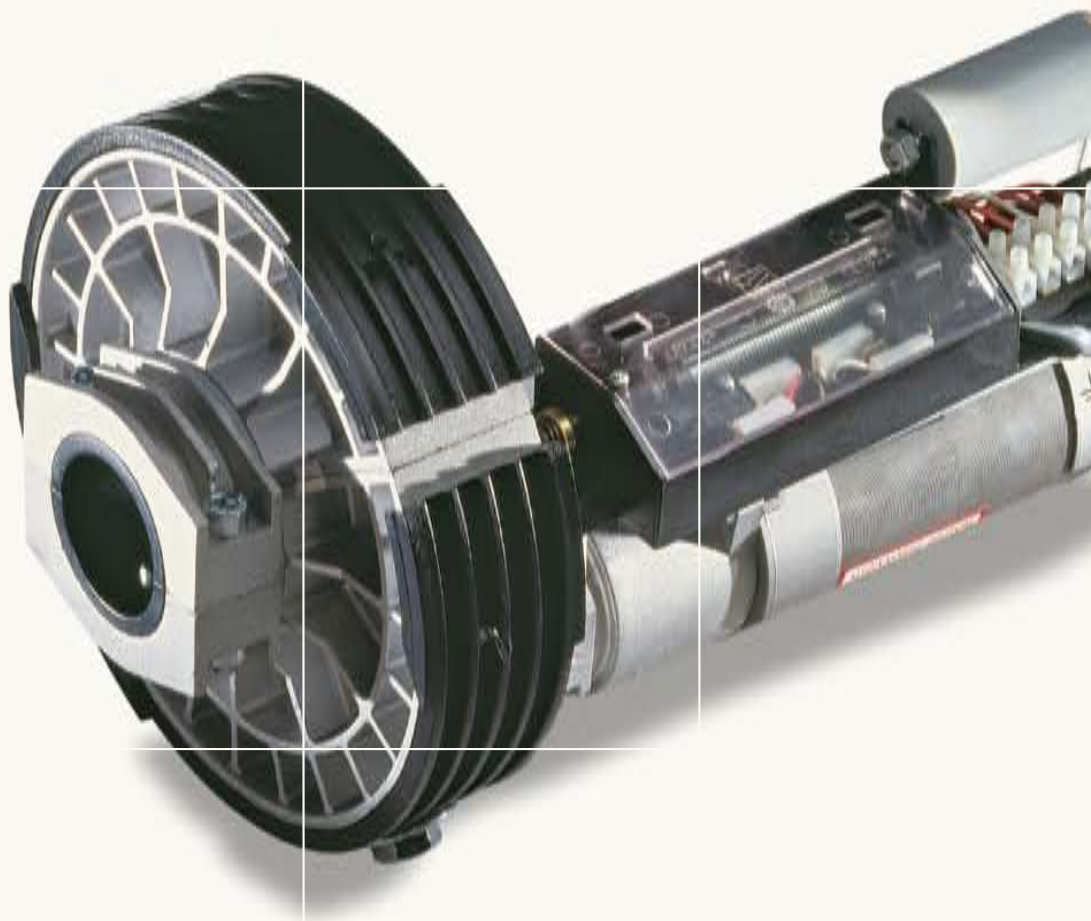


Automation
systems for
rolling shutters



H1000

**Flexibility of use and
powerful lift,
all in one model**

The H series automation systems are the optimal solution to provide automation to all types of rolling shutters without needing to modify the original structure of the shutters.

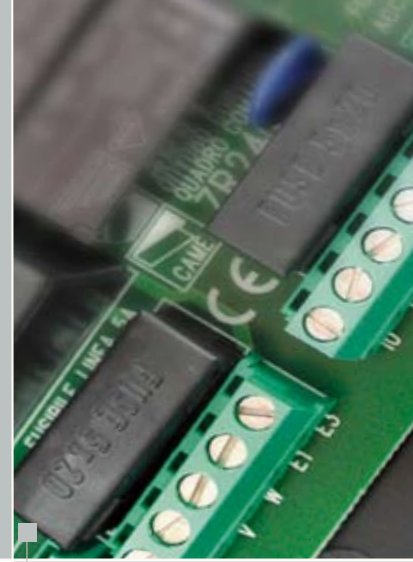



CAME
AUTOMATIC GATES

H1000

Modularity and performance for rolling shutters

A safe and easy-to-use system in one model, suitable for different types of posts and springs. The H series gearmotors allow for modular installation without the need to make any adaptations. For large-sized applications, CAME also provides a two-motor version to increase the lift power.



Compliant with the applicable safety legislation standards. The series H control panel is compliant with the current technical safety standards and comes complete with radio decoder for the remote control.

Reliability to the maximum power. The H1003 and H1103 gearmotors can be coupled with a second motor to increase the lift capacity.

Versatile in every way. All of the H series gearmotors are suitable for Ø 48 mm posts as well as Ø 60 mm ones, and for Ø 200 or 220 mm springs. All that is needed for the installation are the standard supplied accessories.

The electronics

Besides the normal command and safety functions, the electronics of the Z24 control panel provide certain details that offer total control of the automation device as well as optimal duty performance, such as:

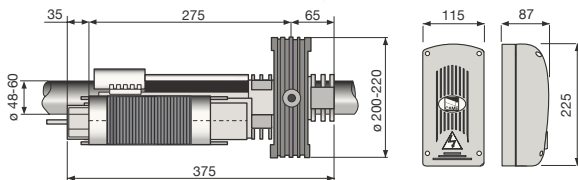
- > **Auto-learning of the radio code between transmitter and receiver**
- > **Pre-set automatic closing using the specific adjustable trimmer**
- > **"Maintained action" command which requires constant pressure on the command button for the duration of the opening or closing phase**

The models

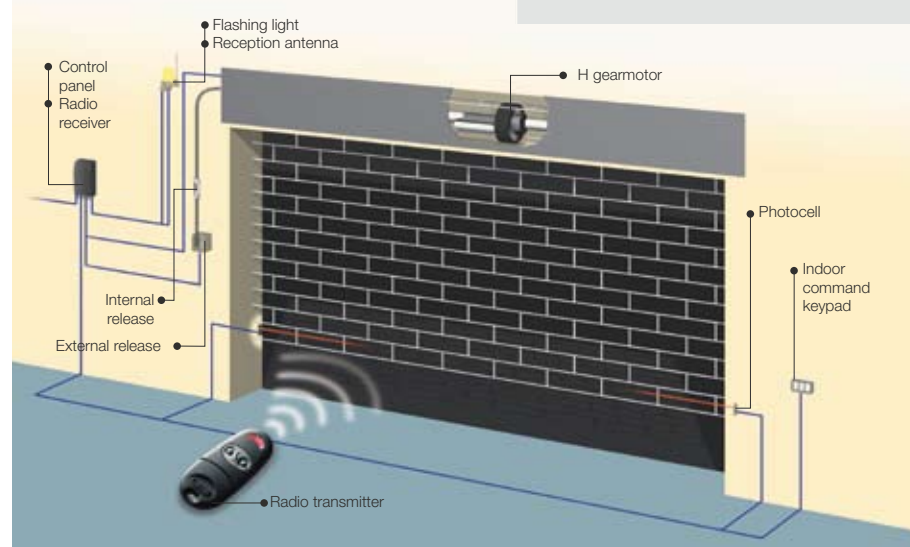
- H1003**
230V A.C. IRREVERSIBLE Gearmotor complete with pull-cord release.
- H1103**
230V A.C. REVERSIBLE Gearmotor.
- H2003**
230V A.C. IRREVERSIBLE Gearmotor with double motor complete with pull-cord release.
- H2103**
230V A.C. REVERSIBLE Gearmotor or with double motor.



Dimensions:



Standard installation:



In the event a careful analysis of the automated gate's risks were to require it, the use of sensitive safety infrared or contact profiles becomes indispensable.

Accessories:

- H3100** Supplementary 230V gearmotor.
- H3012** Electroblock for REVERSIBLE gearmotor.
- H3001** Safety casing complete with release pull-cord handle and command button.
- ZR24** Dedicated control panel.

Technical features:

| Type | H1003 | H1103 | H2000 | H2103 |
|-------------------------|----------------------|--------|-------|-------|
| Degree of protection | IP40 | | | |
| Motor power supply | 230V A.C. (50/60 Hz) | | | |
| Absorbed input | 2,4A | 4,5A | | |
| Max. power | 270W | 500W | | |
| Reduction ratio | 1/150 | | | |
| Operation intermittence | 30% | | | |
| RPM | 9 rpm | | | |
| Lift capacity | 120 kg | 200 kg | | |
| Operating temperature | -20°C ÷ +55°C | | | |



Made in Italy



Came cancelli automatici s.p.a.

via Martiri della Libertà, 15
31030 Dosson di Casier - Treviso - Italy

www.came.it - info@came.it

